

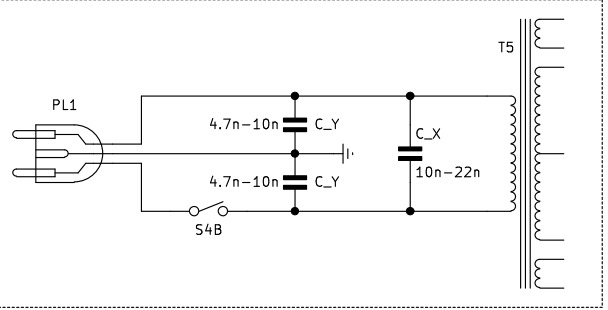
- NOTES
1. Resistor values are in ohms unless otherwise specified.
  2. Capacitor values are in pF unless otherwise specified.
  3. Resistor ratings are 1/2W unless otherwise specified.
  4. Band selector switch S-1 shown in band 4 position.

### IMPORTANT SAFETY MODIFICATION

Discard old C56 and two poles power plug and cable.  
Install a three poles power plug and cable.

Install safety EMI capacitors:

One X-class capacitor across the transformer primary winding.  
Two Y-class capacitor between each power pole and ground.  
Typical values are 10nF to 22nF for X capacitor  
and 4.7n to 10n for Y capacitors.  
X2 class and Y2 class are suitable, X1 or Y1 are better.



F1LAG

Sheet: /  
File: Hallicrafters S-40B.sch

Title: Hallicrafters S-40B RUN 3

Size: A3 Date: 15/05/2016

KiCad E.D.A. kicad 4.0.2-stable

Rev: 2

Id: 1/1

The hallicrafters Co.  
441 W. 59TH AVENUE, CHICAGO 34, ILLINOIS

